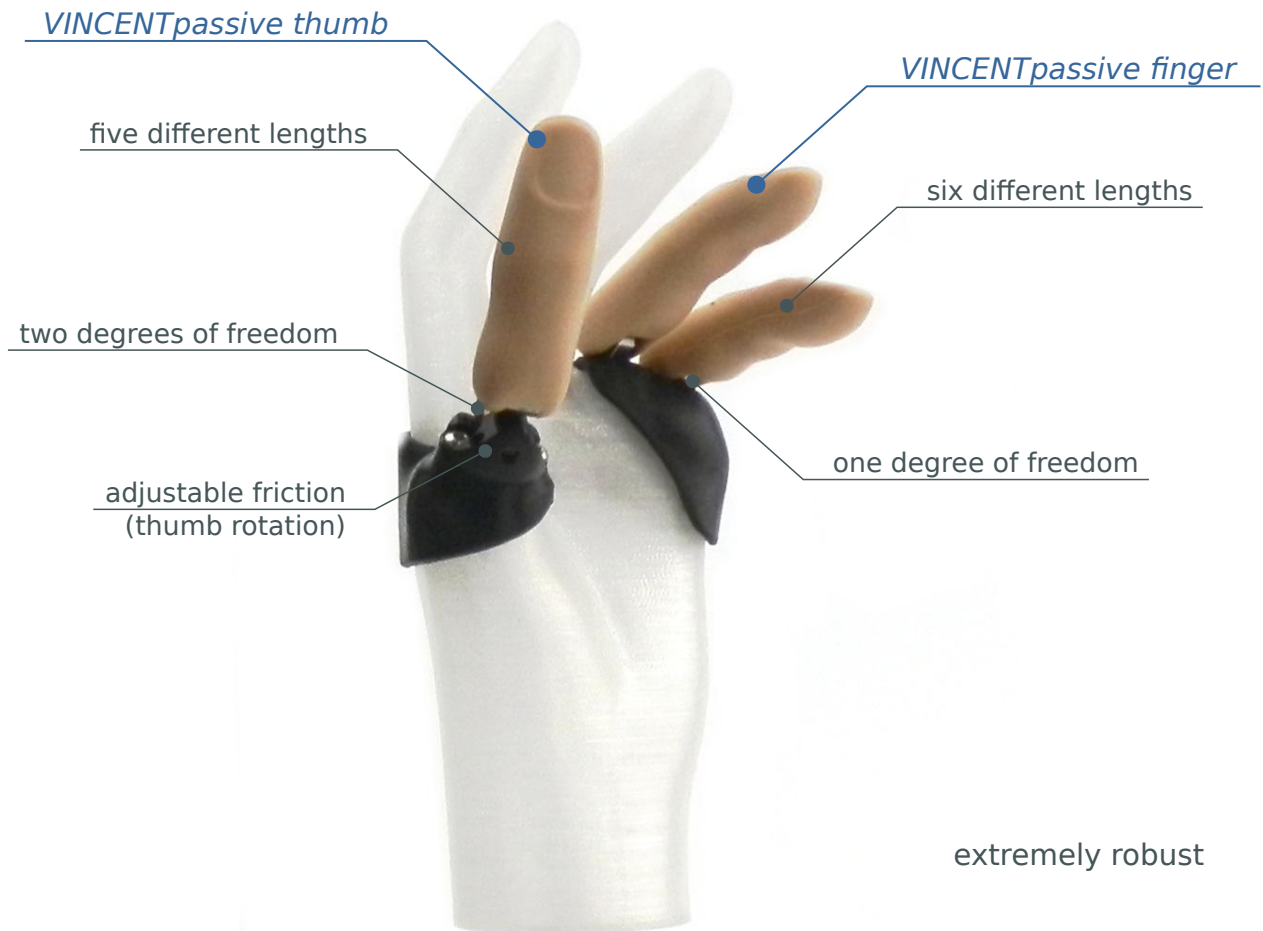


Passive fingers and thumbs



extremely robust

easy positioning

available in three colors

VINCENTpartial passive

made in germany



VINCENTpartial passive

Modular passive partial hand system



easy positioning

to change the flexion stepwise: pull, change position, release
stepless thumb rotation (force that is needed for rotation is adjustable)

extremely robust

the joint is made from stainless steel or high-strength magnesium aluminium alloy, the fingers and thumbs are completely corrosion-resistant

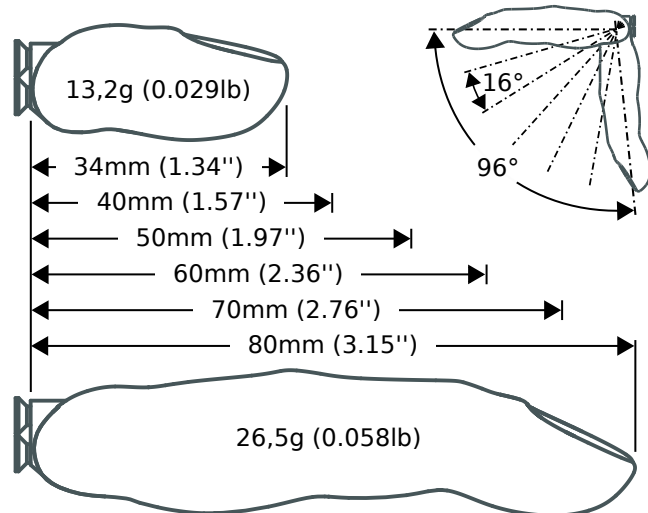
three different colors

the fingertips made from stain resistant HTV silicone in any length in the colors*:
black ● white ○ natural ● (PANTONE 5Y01 SP)



VINCENTpassive finger

The fingers can be integrated into the prosthesis shaft very easily with a cross-shaped frame element.

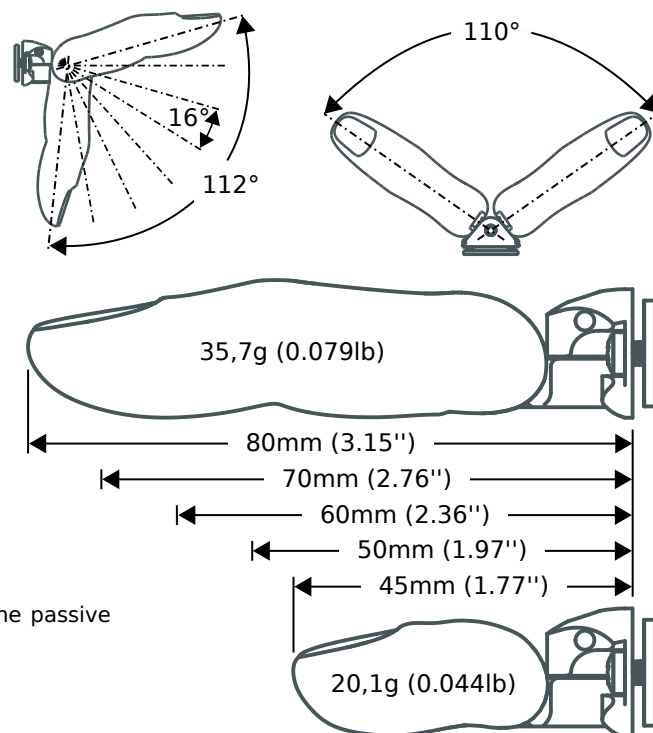


The illustrations show the different lengths of the passive fingers and the passive thumb in their original size.

*more colors available on request

VINCENTpassive thumb

The thumb can be integrated into the shaft with a frame element separately or together with the active finger prostheses.



customer service (mon to fri 9am - 4pm CET)
head office, sales, training: +49 724 4608351
technical support: +49 721 16178462

www.vincentsystems.de

Vincent Systems GmbH | Breite Straße 155 | 76135 Karlsruhe | Germany

Copyright Vincent Systems GmbH G3P03D02EN02